

Dual SCALE Driver 2SD315AI-33

for Halfbridge IGBTs up to 3300V

Description

The **SCALE** drivers from **CONCEPT** are based on a chip set that was developed specifically for the reliable driving and safe operation of IGBTs and power MOSFETs.

The name "SCALE" is an acronym for the most outstanding properties of the SCALE series of drivers:

SCALE = **S**caleable, **C**ompact, **A**ll purpose, **L**ow cost and **E**asy to use.



The SCALE driver is a winning project of the competition organized by "Technology Center Switzerland 1998". And ABB Switzerland AG honored the development of the SCALE driver by distinguishing it as the "best power electronics project in 1998".

Product Highlights

- ✓ Suitable for IGBTs up to 3300V blocking voltage
- ✓ Short circuit and overcurrent protection
- ✓ Extremely reliable, long service life
- ✓ High gate current of $\pm 15A$
- ✓ Electrical isolation of $4000V_{AC}$
- ✓ Electrically isolated status acknowledgement
- ✓ Monitoring of power supply and self-monitoring
- ✓ Switching frequency DC to $>100kHz$
- ✓ Duty cycle: 0... 100%
- ✓ High dv/dt immunity, guaranteed $>100,000V/\mu s$
- ✓ Complete with DC/DC converter

Applications

- ✓ Inverters
- ✓ Motor drive technology
- ✓ Traction
- ✓ Railroad power supplies
- ✓ Converters
- ✓ Power engineering
- ✓ Switched-mode power supplies
- ✓ Radiology and laser technology
- ✓ DC/DC converter
- ✓ Research
- ✓ RF generators and converters

Block Diagram

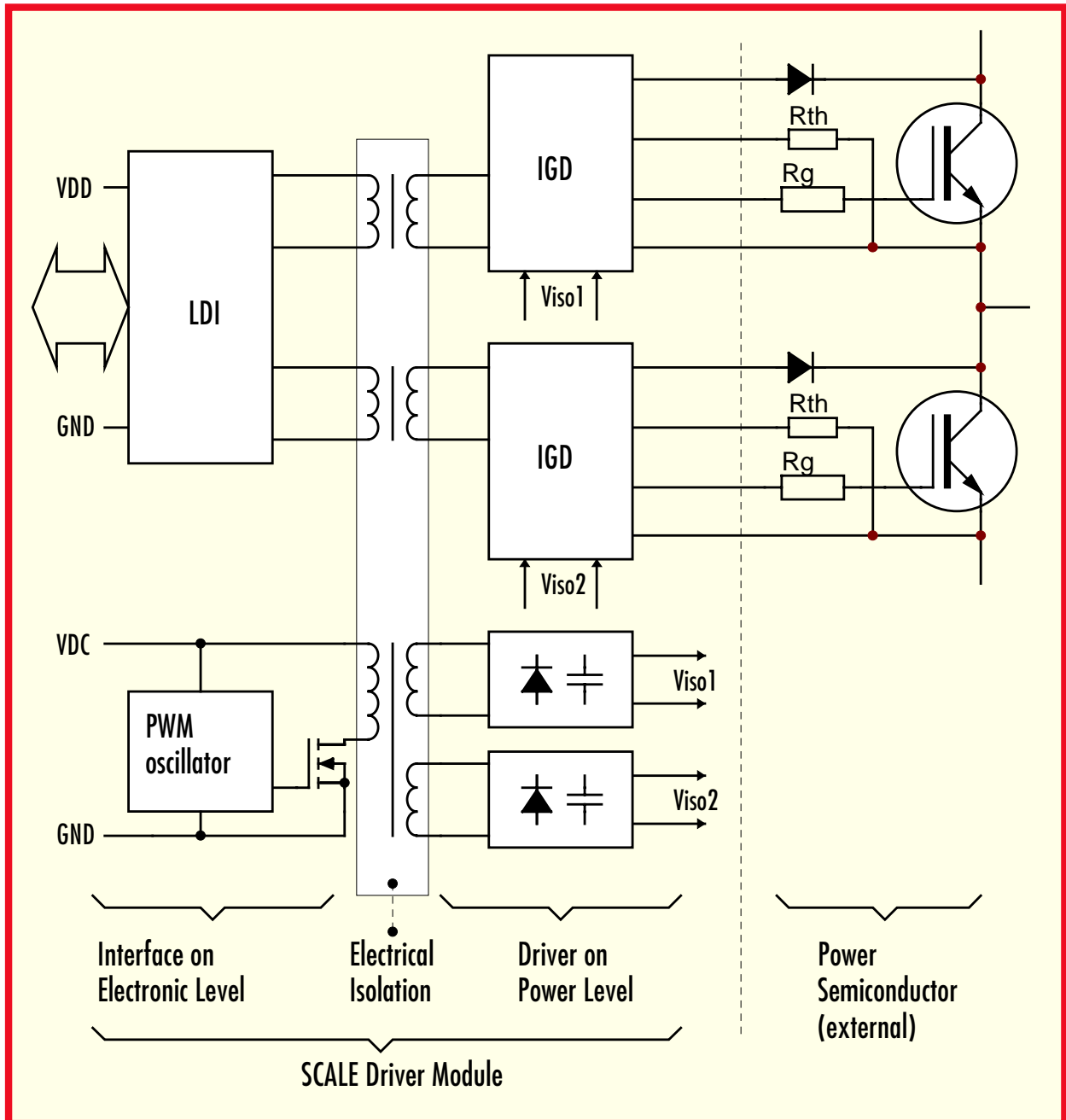


Fig. 1 Block diagram of the 2SD315AI-33

Pin Designation

Pin	Des.	Function	Pin	Des.	Function
1	VDD	+15V for electronic input side	44	G1	Gate channel 1
2	VDD	+15V for electronic input side	43	G1	Gate channel 1
3	SO1	Status output channel 1	42	COM1	Virtual common channel 1
4	VL	Logic level/Reset	41	COM1	Virtual common channel 1
5	RC1	RC network dead-time channel 1	40	Viso1	Blocking capacitor channel 1
6	InB	Input B	39	E1	Emitter channel 1
7	RC2	RC network dead-time channel 2	38	E1	Emitter channel 1
8	MOD	Mode input	37	Rth1	Reference resistor channel 1
9	SO2	Status output channel 2	36	C1	Collector sense channel 1
10	InA	Input A	35	LS1	Local status channel 1
11	GND	GND for electronic input side	34		Free
12	GND	GND for electronic input side	33		Free
13	VDC	+15V for DC/DC converter	32	G2	Gate channel 2
14	VDC	+15V for DC/DC converter	31	G2	Gate channel 2
15	VDC	+15V for DC/DC converter	30	COM2	Virtual common channel 2
16	VDC	+15V for DC/DC converter	29	COM2	Virtual common channel 2
17	VDC	+15V for DC/DC converter	28	Viso2	Blocking capacitor channel 2
18	GND(dc)	Ground DC/DC converter	27	E2	Emitter channel 2
19	GND(dc)	Ground DC/DC converter	26	E2	Emitter channel 2
20	GND(dc)	Ground DC/DC converter	25	Rth2	Reference resistor channel 2
21	GND(dc)	Ground DC/DC converter	24	C2	Collector sense channel 2
22	GND(dc)	Ground DC/DC converter	23	LS2	Local status channel 2

Legend:

Pins with the designation "Free" are not physically present.

PCB Layout / Mechanical Dimensions

Details of the circuit board layout

Grid of the aspect drawing on page 4 below: 1.27mm (50mil)

Recommended diameter of solder pad: \varnothing 1.6mm

Recommended diameter of drill holes: \varnothing 1.0mm

Mechanical Dimensions

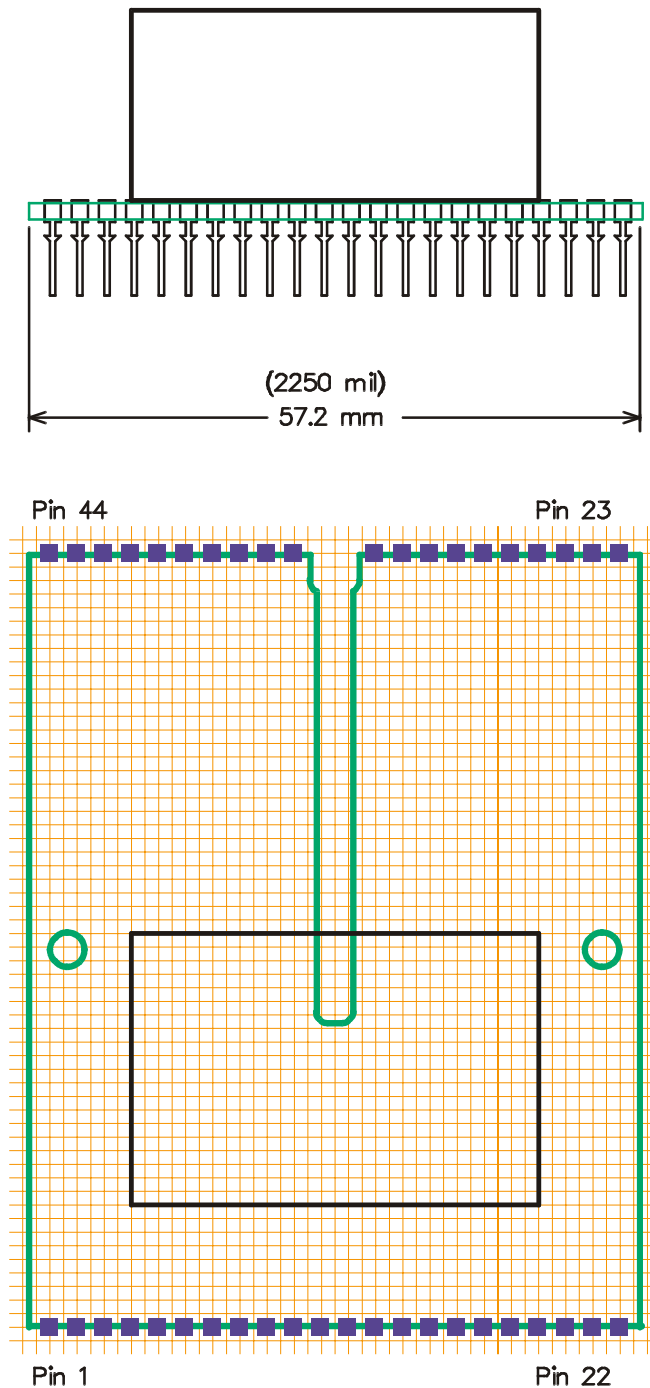


Fig 2 Front view (top) / Layout overview component side (bottom) 2SD315AI-33

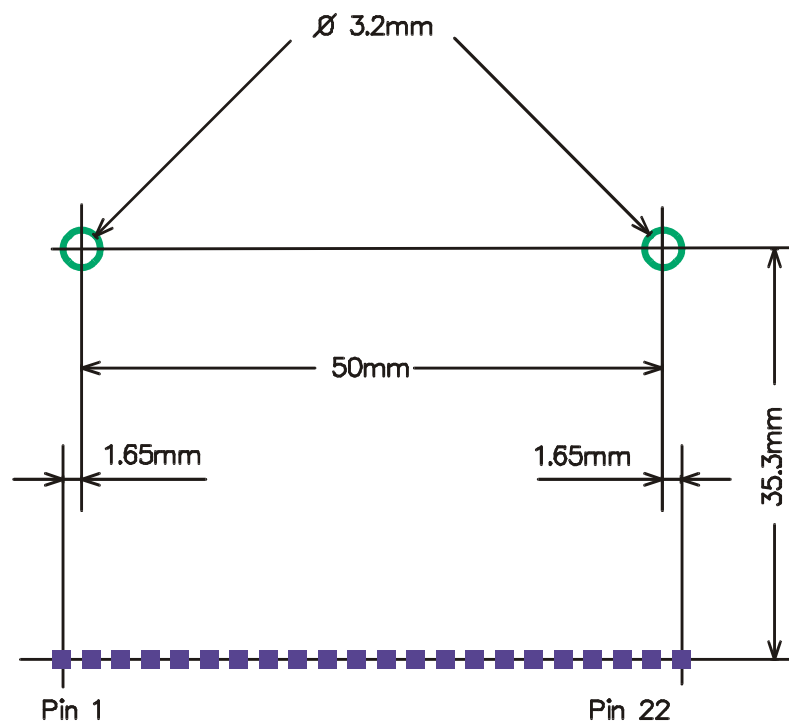
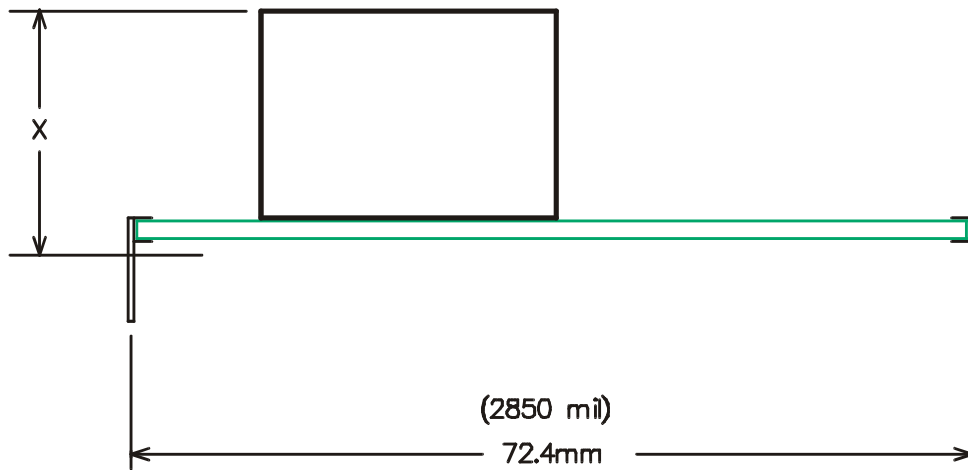


Fig. 3 Side view (top) / Mechanical fixing (bottom) 2SD315AI-33

Height X: typ. 22mm

Data Sheet 2SD315AI-33

Mechanical fixing

The 2SD315AI-33 driver has two holes each 3.2mm in diameter. They allow additional fixing of the driver for applications requiring very high resistance to shaking/vibration (railways, traction systems, electrically-driven vehicles, etc.). See Fig. 3 (bottom).

Absolute Maximum Ratings

Parameter	Test conditions	min	max	unit
Supply voltage <i>VDC</i>		0	16	Vdc
Supply voltage <i>VDD</i>		0	16	Vdc
Logic input voltage	to GND	0	<i>VDD</i>	Vdc
Gate peak current <i>I_{out}</i>	Gx to Ex	-18	+18	A
Output power DC/DC converter	total for both channels		6	W
Operating voltage	continuous (see Note 8)		1500	Vdc
Max. test voltage (50Hz/1min)	inputs to outputs (see Note 12)		4000	V _{AC} (eff)
Operating temperature	(see Note 10)	-40	+85	°C
Storage temperature		-40	+90	°C

All data refer to +25°C and *VDD* = *VDC* = 15V unless otherwise specified

Electrical Characteristics

Power supply	Test conditions	min	typ	max	unit
Nominal supply voltage <i>VDC</i>	to GND (see Note 1)		15		Vdc
Supply current <i>IDC</i>	without load		30		mA
Max. supply current <i>IDC</i>	(see Note 2)			470	mA
Output power DC/DC converter	(see Note 3)			6	W
Efficiency η	internal DC/DC converter		85		%
Nominal supply voltage <i>VDD</i>	to GND		15		Vdc
Supply current <i>IDD</i>	without load		12		mA
Supply current <i>IDD</i>	at 25kHz switching frequency		15		mA

Electrical Characteristics (Continuation)

Power supply monitoring	Test conditions	min	typ	max	unit
Turn-on threshold V_{th}	(see Note 4)		11.5		Vdc
Hysteresis on/off	(see Note 4)		0.7		Vdc
Logic inputs	Test conditions	min	typ	max	unit
Input voltage	all inputs (see Note 5)	0		VDD	Vdc
Timing characteristics	Test conditions	min	typ	max	unit
Delay time input to output	turn-on $t_{pd(on)}$		300		ns
	turn-off $t_{pd(off)}$		350		ns
Blocking time	after failure (see Note 14)		1		s
Outputs	Test conditions	min	typ	max	unit
Output current IG	Gx to Ex (see Note 6)	-15		+15	A
Output rise time $t_{r(out)}$	Gx to Ex (see Note 7)		100/160		ns
Output fall time $t_{f(out)}$	Gx to Ex (see Note 7)		80/130		ns
Output current SOx		1.5			mA
Output voltage rating SOx	SOx to GND			VDD	V
Output current LSx		5			mA
Vce-Monitoring	Test conditions	min	typ	max	unit
Inputs Cx	to Ex	0		VDD	Vdc
Electrical isolation	Test conditions	min	typ	max	unit
Operating voltage	continuous (see Note 8)			1500	Vdc
Max. test voltage	(50Hz/1 min) (see Note 12)			4000	V _{AC} (eff)
Partial discharge extinction volt.	IEC270, <10pC (see Note 11)	>3300			V _{AC} (pk)
Creep path input-output			20		mm
Creep path output-output	(see Note 13)		12.7/20		mm
Maximum $\Delta V/\Delta t$ at $\Delta V = 1000V$	(see Note 9)	100			kV/ μ s

All data refer to +25°C and VDD = VDC = 15V unless otherwise specified

Data Sheet 2SD315AI-33

Operating Conditions

Operating conditions	Test conditions	min	max	unit
Operating temperature	(see Note 10)	-40	+85	°C
Storage temperature		-40	+90	°C

Footnotes to the key data

- 1) The drivers have a zener diode on each channel for over-voltage protection. When the feed voltage exceeds 16V, this protection can be subject to thermal overload.
- 2) If the specified power consumption is exceeded, this indicates an overload of the DC/DC converter. It should be noted that these DC/DC converters are not protected against overload.
- 3) This should be considered as a recommended value. Please consult the section: "Output power and self-heating".
- 4) Under-voltage monitoring for protecting the power semiconductors. The voltage refers to the local supply voltage of each individual drive channel. However, this corresponds approximately to the voltage at VDC with respect to GND.
- 5) The input levels must never exceed the limits of the supply voltage (i.e. between GND and VDD), otherwise latch-up of the integrated circuits LDI 001 can occur. Particular care must be taken when driving via cables or longer leads.
- 6) The gate current must be limited to its maximum value by a gate resistor.
- 7) First value: At a load of 39nF in series with 5.6 Ω / Second value: At a load of 250nF in series with 1.8 Ω
- 8) Maximum continuous or repeatedly-applied DC voltage or peak value of the repeatedly-applied AC voltage between all inputs and all outputs. However, types that have been measured and selected for higher partial-discharge voltages are also available (see Note 11).
- 9) This specification guarantees that the drive information will be transferred reliably even at a high DC-link voltage and fastest switching operations.
- 10) The application-specific self-heating of the drivers – specially at high load – must be taken into account.
- 11) The partial discharge is not measured for the standard types. Tested and selected types with guaranteed partial-discharge immunity can be supplied for applications with maximum requirements and higher operating voltages (such as railroad applications).
- 12) The test voltage of 6000 Vac(rms)/50Hz may be applied only once during one minute. It should be noted that with this (strictly speaking obsolete) test method, some (minor) damage occurs to the isolation layers due to the partial discharge. Consequently, this test is not performed at CONCEPT as a series test. In the case of repeated isolation tests (e.g. module test, equipment test, system test) the subsequent tests should be performed with a lower test voltage: the test voltage is reduced by 600V for each additional test. The more modern if more elaborate partial-discharge measurement is better suited than such test methods as it is almost entirely non-destructive.
- 13) The first series has a creep path of 12.7mm between adjacent channels and 20mm between input and output. A creep path of 20mm between adjacent channels will be implemented (with 100% mechanical compatibility) in later series.
- 14) The typical blocking time after an error is 1 second. If required, versions with other blocking times may also be supplied.

Application Hints

IMPORTANT INFORMATION

This data sheet contains only product-specific data. All data that apply to the whole type series of SCALE drivers is given in the document entitled: "Description and Application Manual for SCALE Drivers". In particular, this manual contains a detailed description of the concept of the SCALE drivers, a description of the function of all terminal pins as well as other important application hints.

Overview and application

The SCALE driver 2SD315AI-33 is a two channel driver for IGBTs. The 2SD315AI-33 combines compact mechanical dimensions and a simple electrical interface with very high output currents, high drive power and a special high isolation. This driver can thus be used in almost all conceivable applications, especially for halfbridge modules with reverse voltages up to 3300V. When used as a half-bridge driver, the 2SD315AI-33 can directly generate any dead times that may be required.

Output power and self-heating

The specified output power of the driver totals 6W (3W per channel). In the case of a drive power of 6W, the typical input power of the driver is about 7W; the losses due to the driver total about 1W. Because CONCEPT cannot predict how the drivers will be incorporated in the user's application, no binding recommended value for self-heating and thus for the maximum useful output power at high ambient temperatures can be made. It is consequently recommended to check the self-heating of the system, especially when it is used at higher temperatures.

For the calculation of the exact output power, reference should be made to Application Note AN-9701 "IGBT drivers correctly calculated" from CONCEPT.

Collector sense and dimensioning of Rth

The 2SD315AI-33 dual driver has a collector-sense circuit to protect the power semiconductors. It is shown in Fig. 4

Data Sheet 2SD315A1-33

Its basic operating mode can be obtained from the brochure entitled: "Description and Application Manual for Scale Drivers".

To correspond more effectively to the turn-on characteristic of the IGBTs, the SCALE drivers do not use a static reference voltage to compare the voltage at the collector. Instead, the reference is used as shown in Fig. 5.

In order to ensure that the 2SD315A1-33 can be applied as universally as possible, the components C_a (response time capacitor) and R_m (attenuation resistor) are not integrated in the driver as shown in Fig. 4, but must be connected externally. Whereas C_a can be matched to the specific application, a standard value of 180Ω is recommended for R_m . The ground terminal of C_a should be connected to the COMx pin.

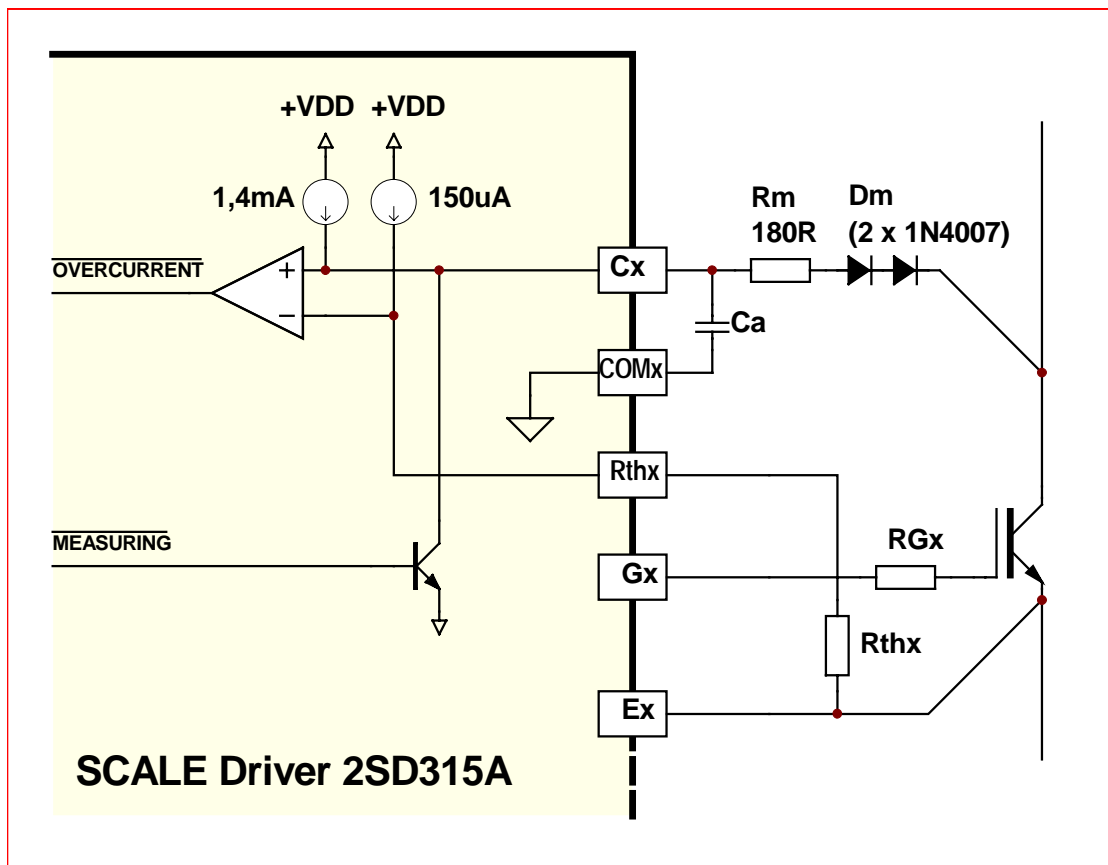


Fig. 4 Collector-sense circuit principle

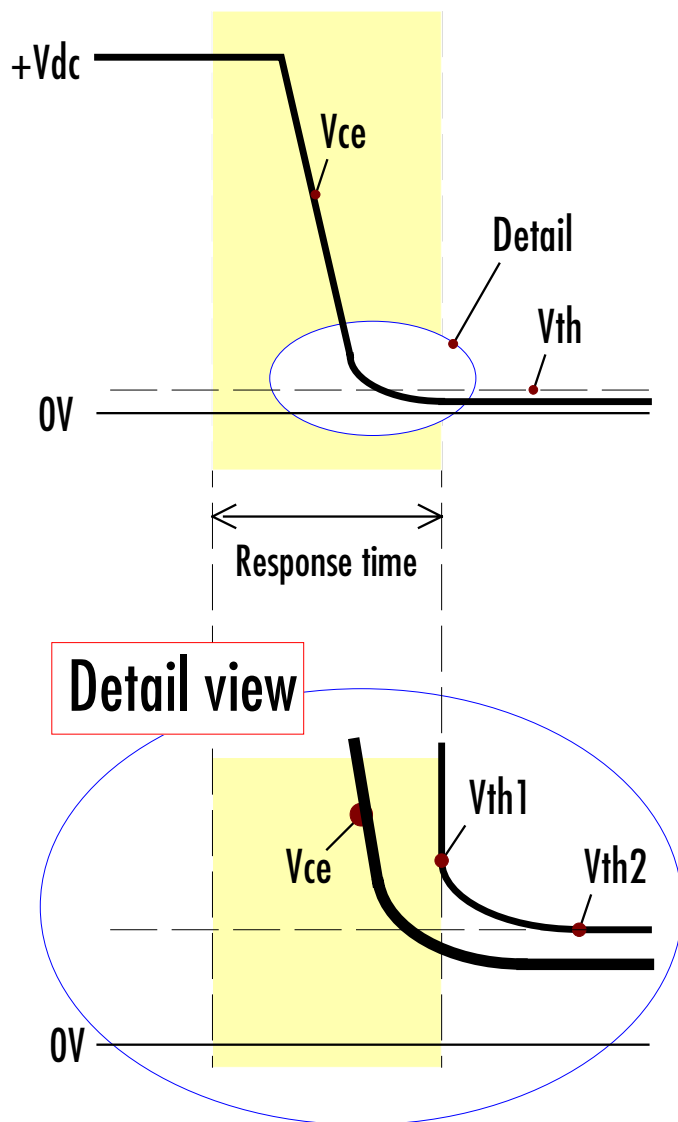


Fig. 5 Collector-sense voltage curve

Notes on Table 1

The values for “Vth1” and “Vth2” are listed in **Table 1** as a function of the reference resistance Rth.

The value in the “Vth1” column corresponds to the voltage threshold after the response time has elapsed.

The value in the “Vth2” column corresponds to the voltage which is set up statically across the resistor Rth. This static value is typically reached after between 10 and 15 μ s.

The value in the “V_{CE(off)}” column corresponds to the collector-emitter voltage value at which the protection function is activated when the external circuit is used as shown in Fig. 4 with one or two Dm diodes of type 1N4007 connected in series.

A value of 1n5 is used for the response time capacitor Ca. If this capacitor is rated higher or lower, the response time changes in proportion to the change in capacitance, whereas the thresholds Vth1 and Vth2 remain practically unchanged (they are specified by Rth).

Value Rth	Reaction time	Vth1	Vth2	V _{CE(off)}
22k	≈ 4.9 μ s	≈ 4.8V	≈ 3.2V	2.35V (1 Diode)
27k	≈ 5.7 μ s	≈ 5.6V	≈ 3.9V	3.05V (1 Diode)
33k	≈ 6.8 μ s	≈ 6.5V	≈ 4.7V	3.25V (2 Diodes)
39k	≈ 7.6 μ s	≈ 7.3V	≈ 5.6V	4.15V (2 Diodes)
47k	≈ 9 μ s	≈ 8.4V	≈ 6.8V	5.35V (2 Diodes)

Table 1 Reference resistor, reaction time and turn-off threshold with Ca = 1n5

Data Sheet 2SD315AI-33

Double or multiple pins

Due to the high output currents, several pins are present in duplicate or as multiples. It is recommended to connect these in parallel on the layout so that the voltage drop across the lead frames (contact pins) is minimized.

Special terminal pins

The 2SD315AI-33 half-bridge driver is optimized for universal use and high driver performance and thus contains more terminal pins than the compact SCALE drivers. These pins will be described below:

Visox and COMx pins: external support capacitor

Note: The "x" in Visox and COMx stands for the channel number.

Like the compact SCALE drivers, the 2SD315AI-33 also has blocking capacitors on the secondary side of the DC/DC converter for each drive channel. IGBTs with gate charges up to $3\mu\text{C}$ (corresponding typically to about a 1200V/300A module) and gate currents up to about 10A can be driven without external blocking capacitors. At higher gate charges or gate currents, external blocking capacitors are required between Visox and COMx. These capacitors should be rated at between 47 and $120\mu\text{F}$ (but no more than $220\mu\text{F}$) and a dielectric strength of $\geq 20\text{V}$. It is important that the capacitors are suitable for switched-mode power supply applications (low inductance and high current handling capacity). They must be connected as close as possible to the driver's terminal pins with minimum inductance.

The anode of the capacitor is connected to Visox, its cathode to COMx. The COMx pin is always present in duplicate.

VDC and GND pins: supply for DC/DC Converter

It is recommended to connect a blocking capacitor of approximately $220\mu\text{F}$ to the driver input. This capacitor should also be of the switched-mode power supply type.

Pin LSx: Local status

Note: The "x" in LSx stands for the channel number.

The status of the IGD 001 for each channel is available at this output. It is an open-collector output to which approximately 5mA may be applied. A LED can be connected here, for example, as shown in Fig. 6. The LED lights up in normal

operation (everything OK) and goes out when the driver detects an undervoltage or during the blocking time.

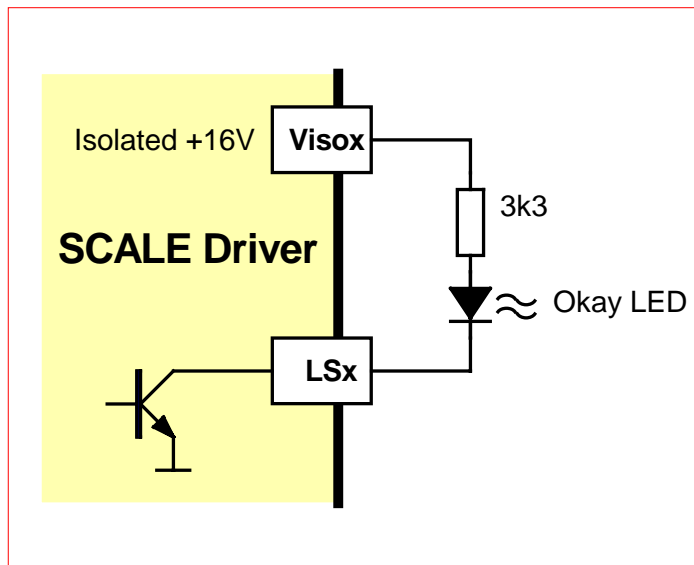


Fig. 6 Status display with LED at pin LSx

Attention:

If the local status outputs are not used, LS1 should be connected to COM1 and LS2 to COM2 in order to increase the noise immunity of the driver (see also Technical Information TN-0001 on www.IGBT-Driver.com).

Configuration within the Power Section

The drivers should be located as closely as possible to the power transistors. The connecting leads to the transistors should be as short as possible and as low inductance as possible, i.e. they can be up to 3cm to 10 cm long depending on the gate current and switching speed.

Data Sheet 2SD315AI-33

Illustrative Application

In one of the next versions of this data sheet, an application example will be found at this point.

Download the updated version from the Internet via the following addresses:

Internet www.IGBT-Driver.com

The really fast variant: evaluation boards

CONCEPT offers a wide range of evaluation boards to introduce users quickly to the sector of IGBT technology and to the protection concept used with SCALE drivers. These boards represent completely built up and tested current-inverter circuits in the power range from 10 kW to over 1000 kW and contain the power semiconductors (IGBTs), a driver card with correctly matched drivers and the link-circuit capacitors. The power sections are designed with very low inductance.

Together with the documentation supplied, these evaluation boards can be used to create prototype equipment that is ready to use within a matter of hours. You are invited to request an overview of the available evaluation boards.

If you need any help, simply call our technical support

CONCEPT offers you expert help for your questions and problems:

Internet: www.CT-Concept.com

E-Mail: Support@CT-Concept.com

Quite special: customized SCALE drivers

If you need a power MOSFET or IGBT driver that is not included in the delivery range, don't hesitate to contact CONCEPT or your CONCEPT sales partner.

CONCEPT engineers have more than 15 years experience in the development and manufacture of intelligent drivers for power MOSFETs and IGBTs and have already implemented a large number of customized solutions.

Exclusion Clause

CONCEPT reserves the right to make modifications to its technical data and product specifications at any time without prior notice. The general terms and conditions of delivery of CT-Concept Technology Ltd. apply.

Data Sheet 2SD315AI-33

Ordering Information

Dual SCALE driver with $\pm 15\text{A}$ gate current / 0/+15V or $\pm 15\text{V}$ gate voltage

Industry version (-40...+85°C) 2SD315AI-33

Additional Products, Services and Information

- 1 channel and 2 channel standard drivers
- 2 channel to six-pack SCALE drivers
- Drivers for high isolation voltages (i.e. train applications)
- „Plug & play“ driver for high power IGBTs
- „Plug & play“ driver for high voltage IGBTs
- Complete power stacks & evaluation boards
- Application notes & technical information
- Technical and conference papers

See you! **www.IGBT-Driver.com**

Manufacturer

Your Distribution Partner

CT-Concept Technology Ltd.
Intelligent Power Electronics
Renferstrasse 15
CH-2504 Biel-Bienne
Switzerland

Fon +41 - 32 - 341 41 01
Fax +41 - 32 - 341 71 21
E-Mail Info@IGBT-Driver.com
Internet www.IGBT-Driver.com

© Copyright 1998...2002 by CT-Concept Technology Ltd. – Switzerland.
We reserve the right to make any technical modifications without prior notice.

All rights reserved.
Version from 11.04.02