

Metallized Polypropylene Film Capacitor(Aluminium Can) DC-Link Application

DPM

订购基本规格

EXPLANATION OF ARTICLE CODE

D P M -	1 6 7	K	3 M	C	4 5	F	5
①	②	③	④	⑤	⑥	⑦	⑧

① Capacitor Type

TYPE	DPM
CODE	DPM-

② Rated Capacitance (EIA Code)

The rated Capacitance value of the product is indicated with three digits. The first two digits indicate the two most significant digits of the capacitance value, and the third digit gives the number of following zeroes. This gives the capacitance value expressed in picofarads.

Examples:

105	=	1,000,000pF	=	1,000nF	=	1uF
106	=	10,000,000pF	=	10,000nF	=	10uF

③ Capacitance Tolerance

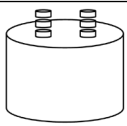
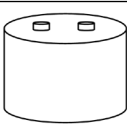
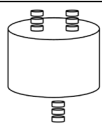
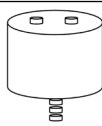
TOLERANCE	±5%	±10%	±20%
CODE	J	K	M

④ Rated Voltage

Code for DC Voltage: (expressed in one digit & one letter code)

VOLTAGE	600V	630V	700V	800V	850V	900V	1000V	1100V	1200V
CODE	2R	2J	2S	2K	2T	2U	3A	3L	3M

⑤ Terminal Configuration

FORM	THREADED STUD	THREADED INSERT	THREADED STUD + MOUNTING	THREADED INSERT + MOUNTING
CODE	A	B	C	J
FORM STYLE				

⑥ Terminal Pitch

Lead SPACE	37.5	42.5	45.0	52.5
CODE	37	42	45	52

⑦ Terminal

TERMINAL	M3	M4	M5	M6	M8	M10	M12
CODE	C	D	E	F	H	J	L

⑧ Terminal Length

FORM	STUD		INSERT	
LENGTH	20.0	15.0	2.0	5.0
CODE	A	B	2	5

Metallized Polypropylene Film Capacitor(Aluminium Can) DC-Link Application

DPM

High capacity DC Filter Capacitor consists of wound metallized polypropylene film, aluminium casing sealed with epoxy. This capacitor is suitable for use in DC filter circuits, Solar Inverter, Industrial Inverter and able to replace electrolytic capacitors.



APPLICATIONS

Switching Power supplies .

UPS System.

Power converters.

Solar Inverter.

FEATURES

High ripple current.

High Capacitance.

Excellent stable performance and reliability.

Flame retardant plastic case and epoxy resin.

SPECIFICATIONS

Operating Temperature: $-40^{\circ}\text{C} \text{ -- } +75^{\circ}\text{C}$.

Capacitance Range: $50\mu\text{F} - 600\mu\text{F}$.

Capacitance Tolerance: $\pm 10\%(K)$.

Rated Voltage: $700\text{VDC} - 1300\text{VDC}$.

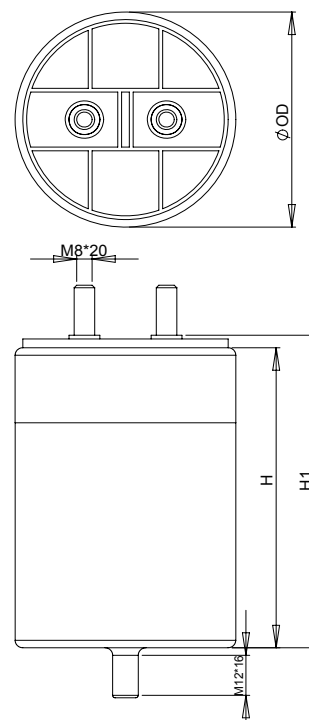
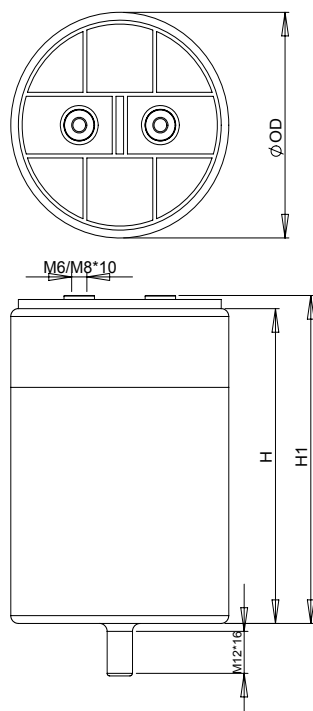
Dissipation Factor: ≤ 0.002 at 100Hz, 25°C

Dielectric Strength: $1.5 \times$ rated voltage for 2s (terminal to terminal)

Terminals to Case: 3.0 KV for 2 sec. @ 25°C

Insulation Resistance: $R_i \cdot C_n > 5000\text{s}$ (at 25°C 100VDC 60s)

Life Expectancy: 100,000 hours at U_n 70°C



Metallized Polypropylene Film Capacitor(Aluminium Can) DC-Link Application

DPM

■ DIMENSIONS / 产品尺寸

R.V. SIZE CAP(μF)	900 V D C									
	OD (mm)	H (mm)	ESL (nH)	I peak (A)	I _{rms} (A)				ESR 1kHz (mΩ)	R _{th} (°C/W)
					25°C	65°C	85°C	105°C		
160.0	75.0	85.0	≤80	640	40.0	28.2	16.1	4.8	2.9	4.8
220.0	85.0	85.0	≤60	880	50.0	35.2	20.1	6.0	2.5	4.3
260.0	75.0	110.0	≤80	1040	45.0	31.7	18.1	5.4	3.7	4.6
350.0	85.0	110.0	≤60	1400	50.0	35.2	20.1	6.0	3.2	4.1
400.0	75.0	135.0	≤80	1600	45.0	31.7	18.1	5.4	5.0	4.2
480.0	85.0	125.0	≤60	1920	55.0	38.7	22.1	6.6	3.7	4.0
550.0	85.0	135.0	≤60	2200	50.0	35.2	20.1	6.0	4.0	3.9
750.0	85.0	180.0	≤60	3000	55.0	38.7	22.1	6.6	4.9	3.5

■ DIMENSIONS / 产品尺寸

R.V. SIZE CAP(μF)	1100V D C									
	OD (mm)	H (mm)	ESL (nH)	I peak (A)	I _{rms} (A)				ESR 1kHz (mΩ)	R _{th} (°C/W)
					25°C	65°C	85°C	105°C		
100.0	75.0	85.0	≤80	400	35.0	24.6	14.1	4.2	3.3	4.8
140.0	85.0	85.0	≤60	560	45.0	31.7	18.1	5.4	2.8	4.3
170.0	75.0	110.0	≤80	680	40.0	28.2	16.1	4.8	4.2	4.6
230.0	85.0	125.0	≤80	920	40.0	28.2	16.1	4.8	5.4	4.3
260.0	75.0	135.0	≤80	1040	40.0	28.2	16.1	4.8	5.8	4.2
310.0	85.0	125.0	≤60	1240	50.0	35.2	20.1	6.0	4.2	4.0
350.0	85.0	135.0	≤80	1400	40.0	28.2	16.1	4.8	7.3	3.8
380.0	85.0	142.0	≤60	1600	55.0	38.7	22.1	6.6	3.2	3.9
420.0	85.0	161.0	≤60	1680	55.0	38.7	22.1	6.6	3.6	3.9
480.0	85.0	180.0	≤60	1920	50.0	35.2	22.1	6.0	5.6	3.5

■ DIMENSIONS / 产品尺寸

R.V. SIZE CAP(μF)	1300 V D C									
	OD (mm)	H (mm)	ESL (nH)	I peak (A)	I _{rms} (A)				ESR 1kHz (mΩ)	R _{th} (°C/W)
					25°C	65°C	85°C	105°C		
70.0	75.0	85.0	≤80	280	35.0	24.6	14.1	4.2	3.7	4.8
110.0	75.0	110.0	≤80	440	35.0	24.6	14.1	4.2	5.0	4.6
160.0	75.0	125.0	≤80	640	40.0	28.2	16.1	4.8	6.0	4.3
180.0	75.0	135.0	≤80	720	40.0	28.2	16.1	4.8	6.7	4.2
220.0	85.0	125.0	≤60	880	45.0	31.7	18.1	5.4	4.7	4.0
260.0	85.0	142.0	≤60	1040	45.0	31.7	18.1	5.4	5.1	3.9
750.0	85.0	180.0	≤60	1360	50.0	35.2	20.1	6.0	6.4	3.5

Metallized Polypropylene Film Capacitor(Aluminium Can) DC-Link Application

DPM

■ DIMENSIONS / 产品尺寸

R.V.		900 V D C								
SIZE CAP(μF)	OD (mm)	H (mm)	ESL (nH)	I peak (A)	I _{rms} (A)				ESR 1kHz (mΩ)	R _{th} (°C/W)
					25°C	65°C	85°C	105°C		
440.0	116.0	85.0	≤60	1760	65.0	45.8	26.2	7.8	2.0	4.6
700.0	116.0	110.0	≤60	2800	70.0	49.3	28.2	8.4	2.3	4.2
970.0	116.0	135.0	≤60	3880	75.0	52.8	30.2	9.0	2.5	3.5
1000.0	116.0	142.0	≤60	4400	75.0	52.8	30.2	9.0	2.6	3.2
1400.0	116.0	180.0	≤60	6000	80.0	56.3	32.2	9.6	3.2	2.8

■ DIMENSIONS / 产品尺寸

R.V.		1100 V D C								
SIZE CAP(μF)	OD (mm)	H (mm)	ESL (nH)	I peak (A)	I _{rms} (A)				ESR 1kHz (mΩ)	R _{th} (°C/W)
					25°C	65°C	85°C	105°C		
300.0	116.0	85.0	≤60	1120	60.0	42.3	24.1	7.2	2.1	4.6
450.0	116.0	110.0	≤60	1800	65.0	45.8	26.2	7.8	2.5	4.2
600.0	116.0	135.0	≤60	2440	70.0	49.3	28.2	8.4	2.9	3.5
700.0	116.0	142.0	≤60	2800	70.0	49.3	28.2	8.4	3.0	3.2
900.0	116.0	180.0	≤60	3760	70.0	49.3	28.2	8.4	2.1	2.8
1100.0	116.0	230.0	≤60	4400	80.0	56.3	32.2	9.6	2.0	2.6

■ DIMENSIONS / 产品尺寸

R.V.		1300 V D C								
SIZE CAP(μF)	OD (mm)	H (mm)	ESL (nH)	I peak (A)	I _{rms} (A)				ESR 1kHz (mΩ)	R _{th} (°C/W)
					25°C	65°C	85°C	105°C		
300.0	116.0	110.0	≤60	1240	65.0	45.8	26.2	7.8	2.6	4.2
420.0	116.0	135.0	≤60	1680	65.0	45.8	26.2	7.8	3.2	3.5
470.0	116.0	142.0	≤60	1920	70.0	49.3	28.2	8.4	3.4	3.2
660.0	116.0	180.0	≤60	2640	70.0	49.3	28.2	8.4	4.1	2.8